

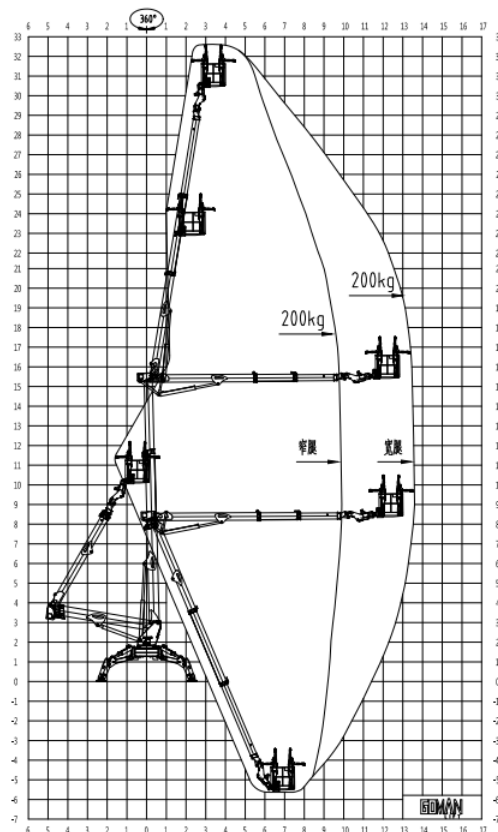
# GOMAN LIFT Spider X32

GX105

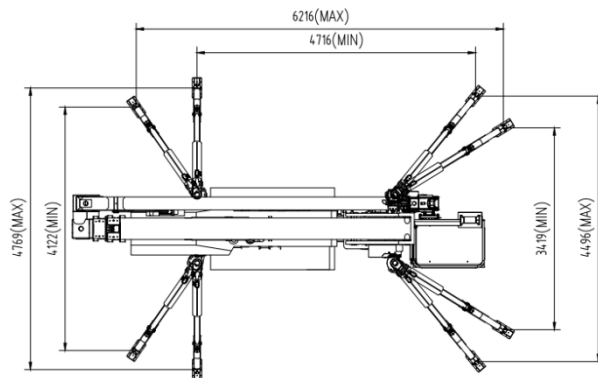
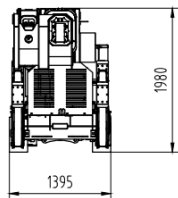
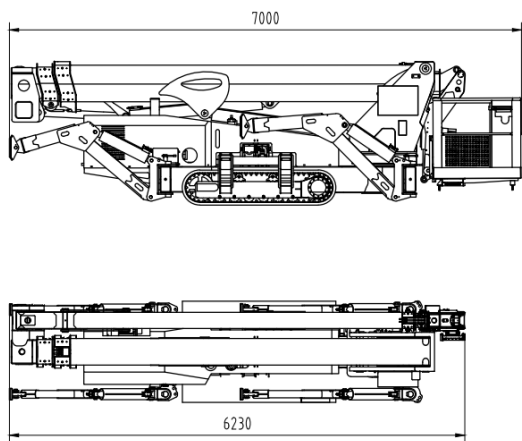


**Standard Parameters**

Model	<b>X32</b>	<b>GX105</b>
Max. work height	32.00m	105'
Max. platform height	30.00m	98'
Load capacity	200kg	440lb
Lateral Outreach	13.50m	44'
Basket rotation	180°	
Jib rotation	180°	
Turntable rotation	360°	
Size of platform	1.2*0.8m	47" x 32"
Overall stowed length	7.00m	276"
Overall stowed length(removed basket)	6.23m	245"
Overall stowed width(removed basket)	1.395m	55"
Overall stowed height	1.98m	78"
Total weight	7060kg	15,565lb
Driving speed km/h	0-2.2	
Max. work slope	20%	
Max. climbing ability	30%	
Dual Power capacity	220v AC power + Diesel engine	



**Technical data**



**Standard Features**

- ▶ Compact design; various working application
- ▶ Detachable Basket
- ▶ Auto-leveling basket and outriggers
- ▶ Basket and ground operation are possible
- ▶ 360° non-continuous turntable rotation
- ▶ Hydraulically arms and outrigger interlocks
- ▶ Weight dispersal low ground pressure
- ▶ Made of high tensile steel
- ▶ Reach standards of ISO, CE and ANSI