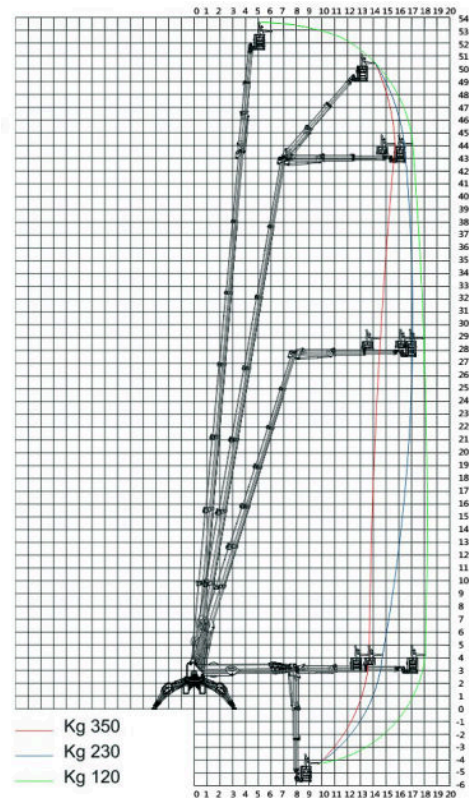




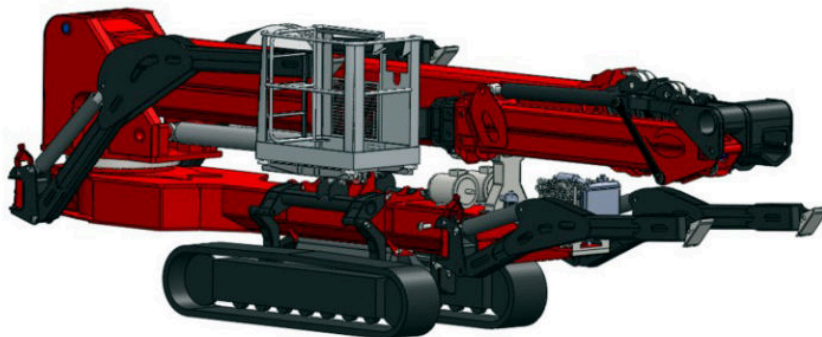
Self-propelled Crawler Mounted
Aerial Work Platform **T53**

Standard Parameters

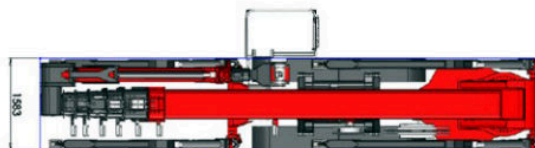
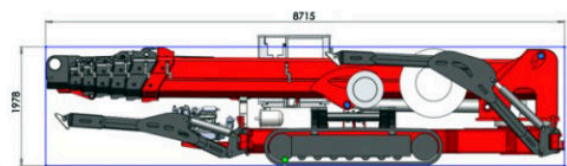
Model	T53	GT175
Max. work height	53.30m	175'
Max. platform height	51.30m	168'
Load capacity	200kg	441lb
Lateral Outreach	16.50m	54'
Basket rotation	180°	
Jib rotation	120°	
Turntable rotation	360° non continuous	
Size of platform	1.2*0.8m	47" x 32"
Overall stowed length	8.72m	343"
Overall stowed width	1.58m	62"
Overall stowed height	1.978m	78"
Total weight	14,500kg	31,967lb
Driving speed km/h	0-1.5	
Max. work slope	20%	
Max. climbing ability	30%	
Dual Power capacity	220v AC power + Diesel engine	



Technical data



T53



Standard Features

- ▶ Compact design; various working application
- ▶ Auto-leveling basket and outriggers
- ▶ Basket and ground operation are possible
- ▶ 360° non-continuous turntable rotation
- ▶ Hydraulically arms and outrigger interlocks
- ▶ Weight dispersal low ground pressure
- ▶ Made of high tensile steel
- ▶ Reach standards of ISO, CE and ANSI

