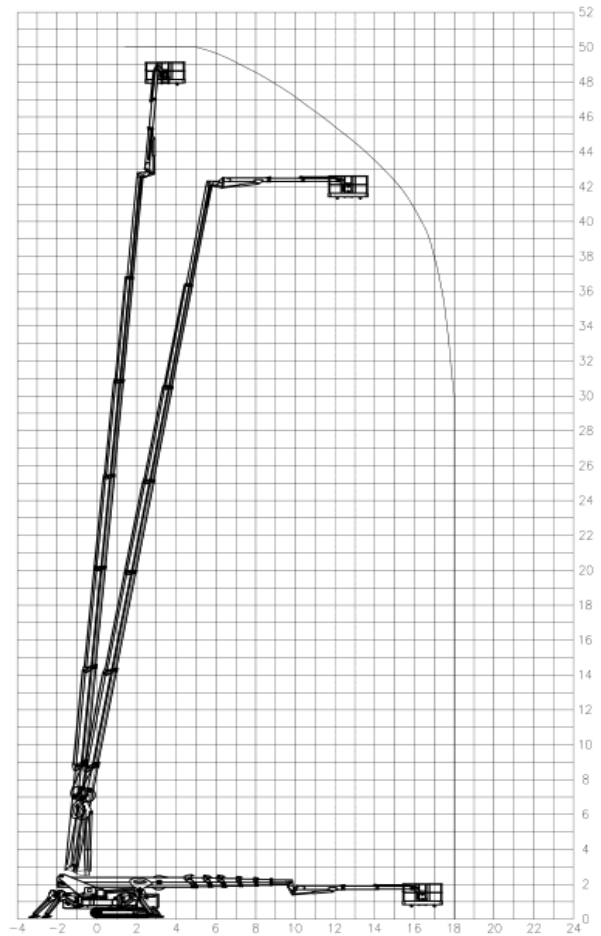


GOMAN LIFT *Spider T50* GT164

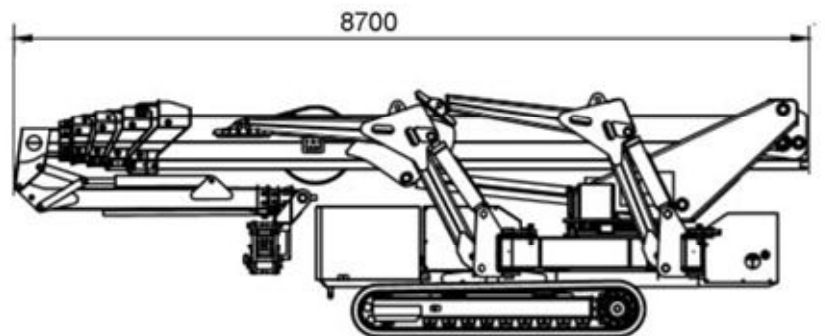
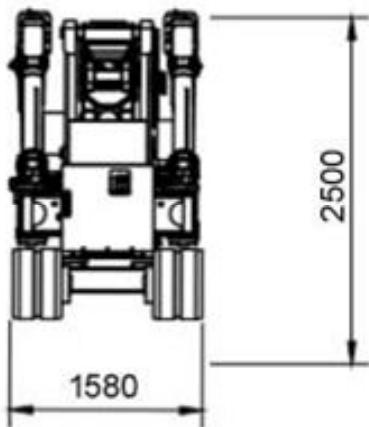


Standard Parameters

Model	T50	GT164
Max. work height	50.00m	164'
Max. platform height	48.00m	157'
Load capacity	200kg	441lb
Lateral Outreach	18.00m	59'
Basket rotation	180°	
Jib rotation	120°	
Turntable rotation	360° non continuous	
Size of platform	1.2*0.8m	47" x 32"
Overall stowed length	8.70m	342"
Overall stowed width	1.58m	62"
Overall stowed height	2.50m	98"
Total weight	14,500kg	31,967lb
Driving speed km/h	0-2.0	
Max. work slope	20%	
Max. climbing ability	30%	
Dual Power capacity	380v AC power + Diesel engine	



Technical data



Standard Features

- ▶ Compact design; various working application
- ▶ Auto-leveling basket and outriggers
- ▶ Basket and ground operation are possible
- ▶ 360° non-continuous turntable rotation
- ▶ Hydraulically arms and outrigger interlocks
- ▶ Weight dispersal low ground pressure
- ▶ Made of high tensile steel
- ▶ Reach standards of ISO, CE and ANSI

