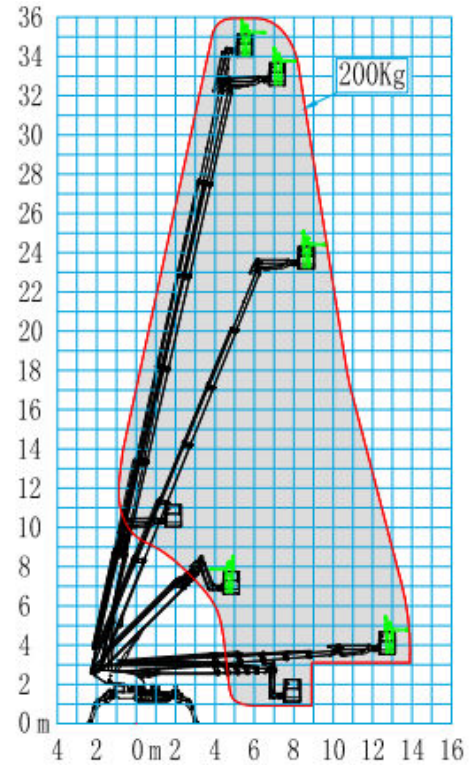


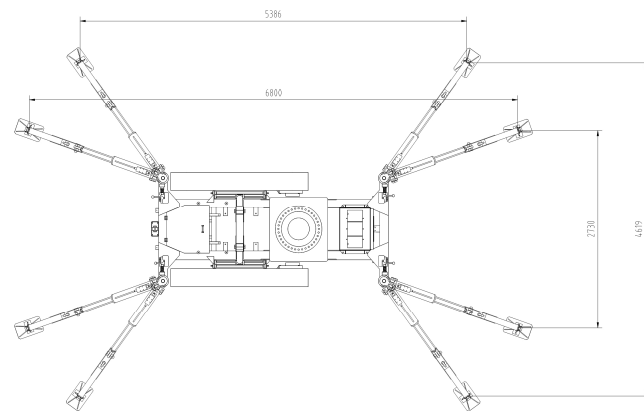
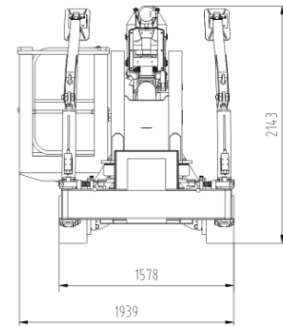
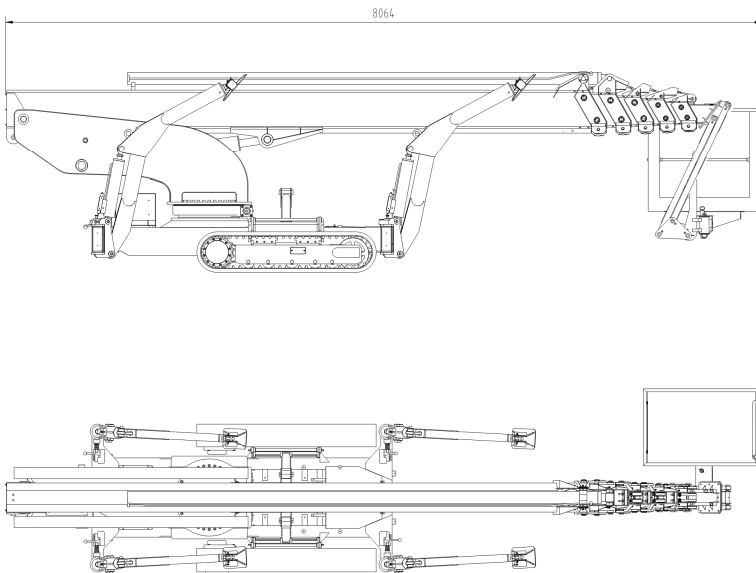


Standard Parameters

Model	T36	GT118
Max. work height	36.00m	118'
Max. platform height	34.00m	112'
Load capacity	200kg	441lb
Lateral Outreach	14.3m	47'
Basket rotation	180°	
Jib rotation	120°	
Turntable rotation	360° non continuous	
Size of platform	1.2*0.8m	47" x 32"
Overall stowed length	8.06m	317"
Overall stowed width	1.60m	63"
Overall stowed height	2.14m	84"
Outrigger support size (Wide leg)	6.80*2.73m	268" x 107"
Outrigger support size (Narrow leg)	5.39*4.62m	212" x 182"
Total weight	5900kg	13,007lb
Driving speed km/h	0-3.0	
Max. work slope	20%	
Max. climbing ability	30%	
Dual Power capacity	220v AC power + Diesel engine	



Technical data



Standard Features

- ▶ Compact design; various working application
- ▶ Auto-leveling basket and outriggers
- ▶ Basket and ground operation are possible
- ▶ 360°non-continuous turntable rotation
- ▶ Hydraulically arms and outrigger interlocks
- ▶ Weight dispersal low ground pressure
- ▶ Made of high tensile steel
- ▶ Reach standards of ISO, CE and ANSI