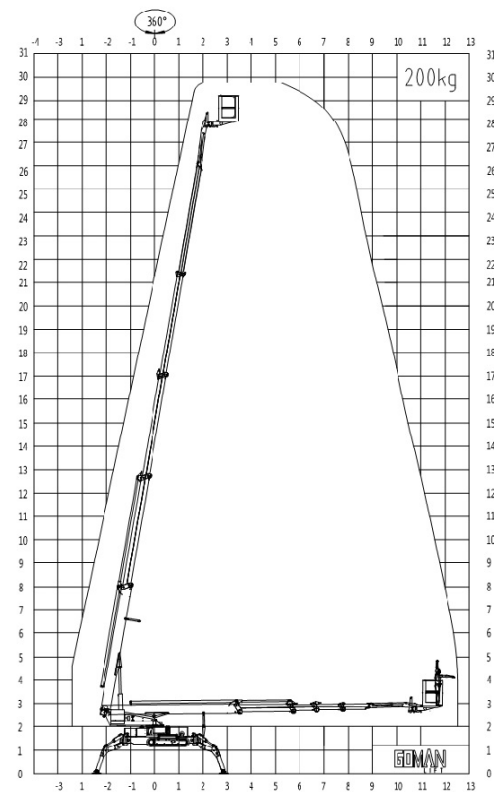


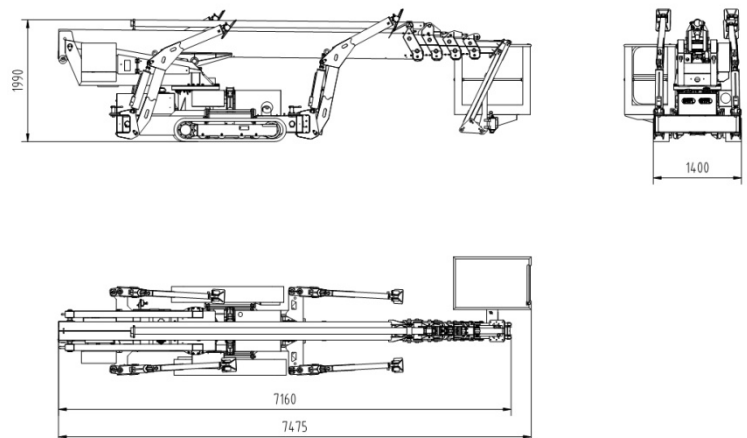
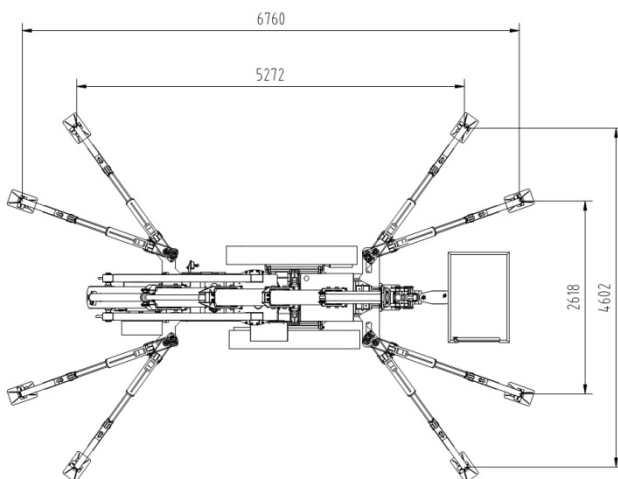


Standard Parameters

Model	T30	GT98
Max. work height	30.00m	98'
Max. platform height	28.00m	92'
Load capacity	230kg	507lb
Lateral Outreach	12.0m	39'
Basket rotation	180°	
Jib rotation	180°	
Turntable rotation	355°	
Size of platform	1.2*0.8m	47" x 32"
Overall stowed length	7.48m	294"
Overall stowed length(removed basket)	7.16m	282"
Overall stowed width(removed basket)	1.40m	55"
Overall stowed height	1.99m	78"
Total weight	4700kg	10,362lb
Driving speed km/h	0-3.0	
Max. work slope	20%	
Max. climbing ability	30%	
Dual Power capacity	AC 220v 3hp (110v 2hp) +18.5kw Diesel engine	



Technical data



Standard Features

- ▶ Compact design; various working application
- ▶ Auto-leveling basket and outriggers
- ▶ Basket and ground operation are possible
- ▶ 360°non-continuous turntable rotation
- ▶ Hydraulically arms and outrigger interlocks
- ▶ Weight dispersal low ground pressure
- ▶ Made of high tensile steel
- ▶ Reach standards of ISO, CE and ANSI