

Spider X24 (GX79)

GOMAN LIFT *Spider X24*

GX79

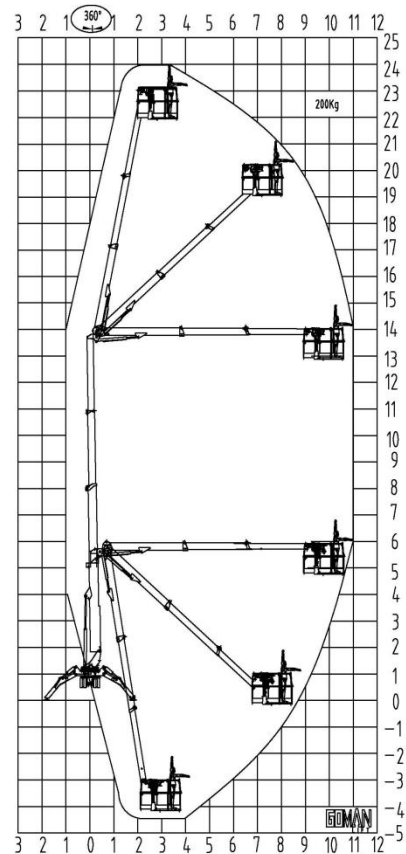


Spider X24 (GX79)

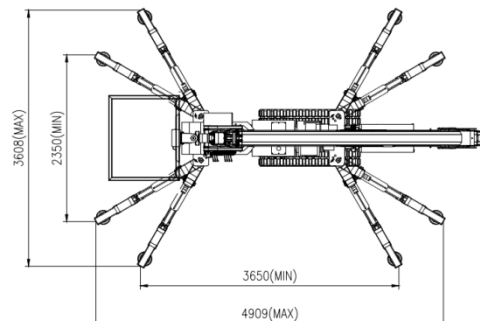
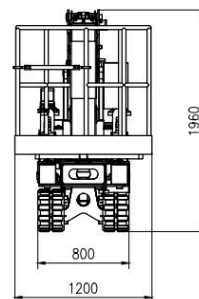
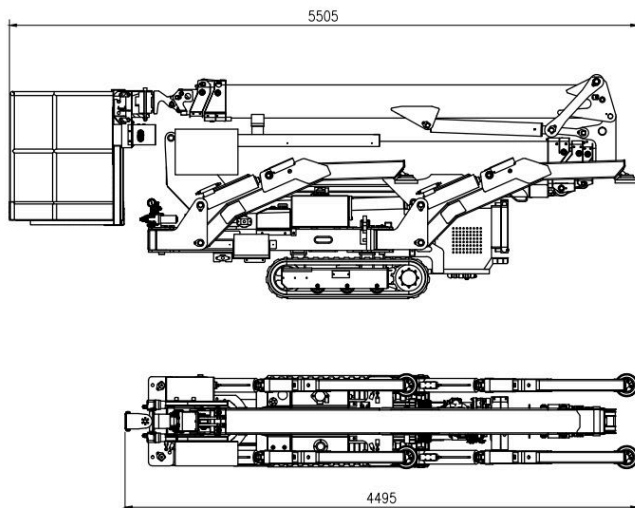
We reserve the right to alternate! www.gomanlift.com

Standard Parameters

Model	X24	GX79
Max. work height	24.00m	79'
Max. platform height	22.00m	72'
Load capacity	200kg	440lb
Lateral Outreach	11.00m	36'
Basket rotation	180°	
Jib rotation	90°	
Turntable rotation	360°	
Size of platform	1.2*0.8m	47" x 31"
Overall stowed length	5.505m	217"
Overall stowed length(removed basket)	4.495m	177"
Overall stowed width(removed basket)	0.80m	31"
Overall stowed height	1.96m	77"
Total weight	3160kg	6967lb
Driving speed	km/h	0-2.2
Max. work slope	20%	
Max. climbing ability	30%	
Dual Power capacity	220v AC power + Diesel engine	



Technical data



Standard Features

- ▶ Compact design; various working application
- ▶ Detachable Basket
- ▶ Auto-leveling basket and outriggers
- ▶ Basket and ground operation are possible
- ▶ 360° non-continuous turntable rotation
- ▶ Hydraulically arms and outrigger interlocks
- ▶ Weight dispersal low ground pressure
- ▶ Made of high tensile steel
- ▶ Reach standards of ISO, CE and ANSI