

GOMAN LIFT *Spider X18*

GX59



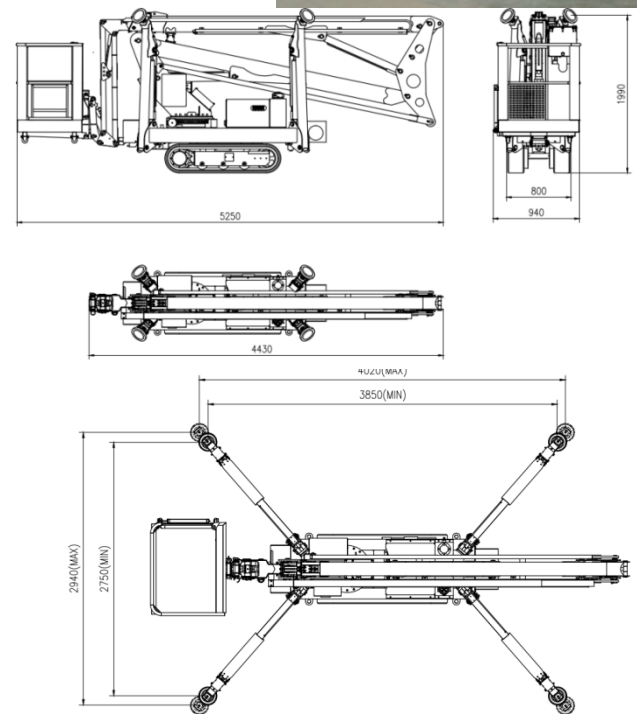
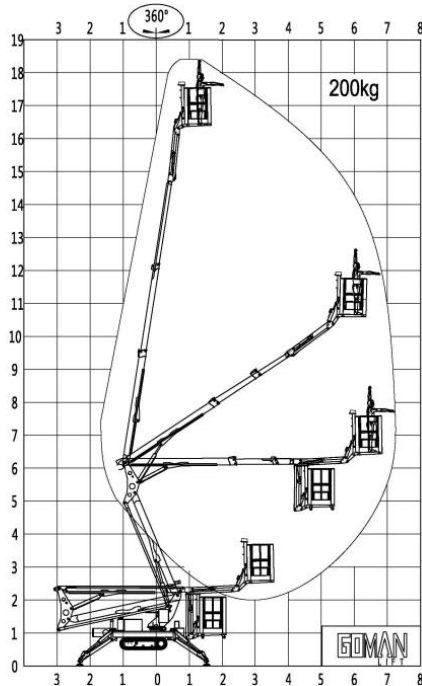
X18

Standard Parameters

Model	X18	GX59
Max. work height	18.00m	59'
Max. platform height	16.00m	52'
Load capacity	200kg	440lb
Lateral Outreach	7.20m	24"
Jib rotation	90°	
Turntable rotation	359°	
Size of platform	0.9*0.8m	36" x 31.5"
Overall stowed length	5.25m	207"
Overall stowed length(removed basket)	4.43m	174"
Overall stowed width(removed basket)	0.80m	31"
Overall stowed height	1.99m	78"
Total weight	2200kg	4850lb
Driving speed	km/h	0-2.5
Max. work slope	20%	
Max. climbing ability	30%	



Technical data



Standard Features

- ▶ Compact design for indoor and outdoor use
- ▶ HMI and redundant PLC controller made Germany
- ▶ Self-leveling basket, and detachable
- ▶ Outriggers manual leveling, automatically as optional
- ▶ 230v(110) 50Hz 16A outlet in the work platform
- ▶ Hydraulically arms and outrigger interlock
- ▶ Weight dispersal low ground pressure
- ▶ Made of high tensile steel, hot dip galvanized boom available
- ▶ Cable remote control, radio control as optional
- ▶ Reach standard of ISO, CE and ANSI