

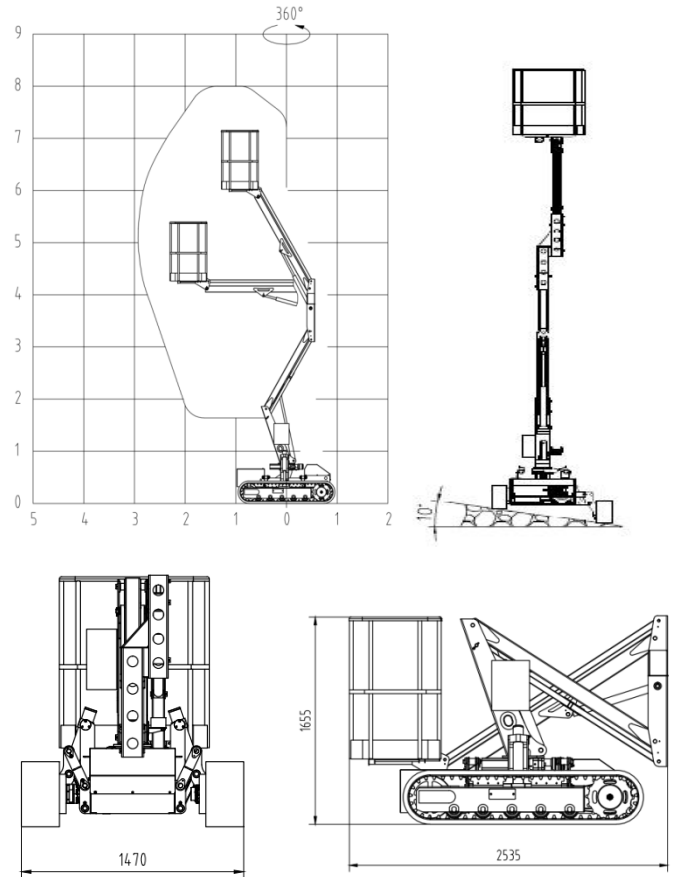


Standard Parameters

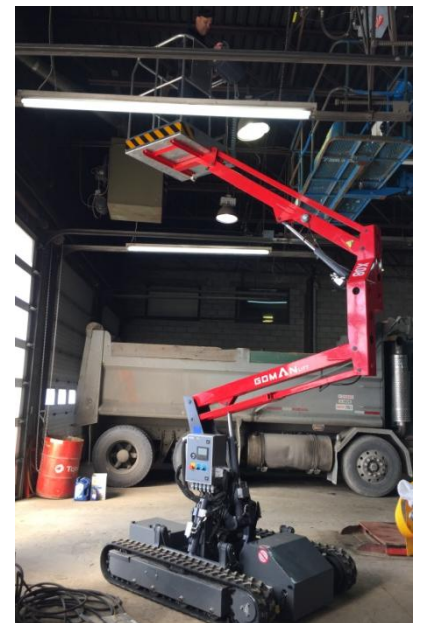
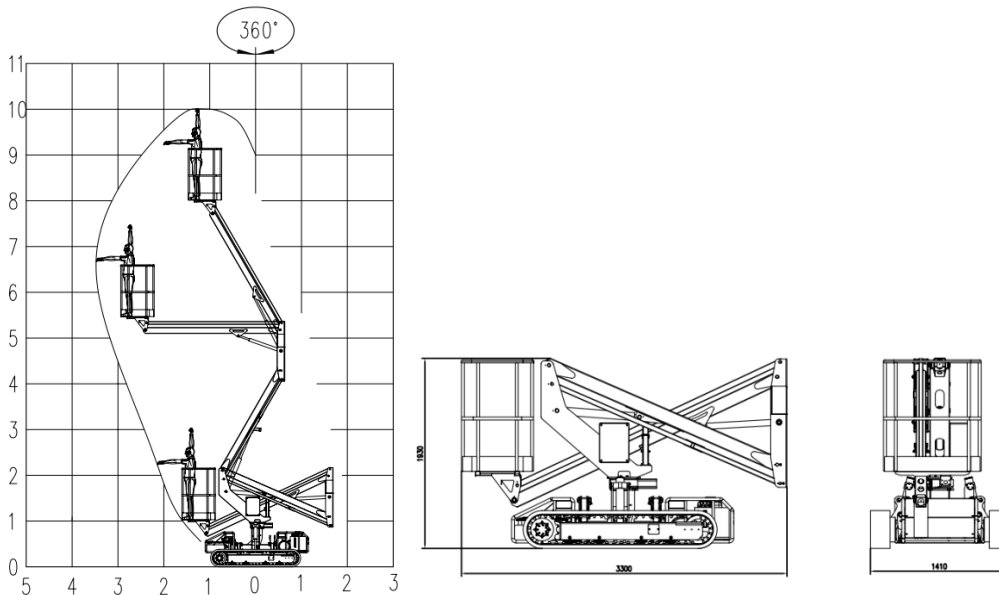
Model		X08	GX26	X10	GX33
Max. work height	m	8.00	26'	10.00	33'
Max. platform height	m	6.00	20'	8.00	26'
Load capacity	kg	160	300lb	160	300lb
Lateral Outreach	m	2.9	9.5'	3.4	11.1'
Turntable rotation		360° non-continuous			
Size of platform	m	0.9*0.7*1.1			
Overall stowed length	m	2.53	100"	3.30	130"
Overall stowed width	m	1.47	58"	1.41	56"
Overall stowed height	m	1.66	65"	1.93	76"
Total weight	kg	1085		1496	
Track speed with battery km/h		0-5.0		0-5.0	
Track speed with engine km/h		0-3.0		0-3.0	
Work slope		17 ° (10 ° side up)			
Dual Power: "gas engine" + AC and "lithium battery 24V" + AC		One Power in case of DC drive		One or Two Power	

*we reserve the right to make technical alternation.

Dimension for X08



Dimension for X10



Standard Features

- ▶ Spider lift without outriggers
- ▶ Allow traction at 0.3km/h under ±1.5° unless intervention
- ▶ Compact design for indoor and outdoor use
- ▶ Double axle adjustment allowing work in slope
- ▶ Lowering without power
- ▶ Adjustable crawlers feature narrow access
- ▶ Plug control panel in basket
- ▶ 360°non-continuous turntable rotation
- ▶ Made of high tensile steel
- ▶ Reach standards of ISO, CE and ANSI